



# JCB LIGHTING TOWER TECHNICAL SPECIFICATIONS



**LTM9**

## FEATURES

- 9m max light head height. Folds flat on top of unit for transport.
- Manual mast tilt and raise using self braking winches for simple operation.
- Mast rotates through 360 degrees and each head can be independently tilted to provide light wherever it is required. Four stabilizer legs give excellent stability to the unit.
- Fork pockets and single point lift for easy transport.
- Large opening side doors, for excellent service access.

## ELECTRICAL

FREQUENCY	VOLTAGE	PRIME POWER
50Hz 1Ph	230v	5.1kVA / 5.1kW
60Hz 1 Ph	240v	6.0kVA / 6.0kW
Rated Speed	1500RPM - 50Hz / 1800RPM – 60Hz	
Circuit Breaker	3 pole (inc earth)	
Power Factor	1.0 - single phase	
Lamp type	4x 1000W, metal Halide	
Lamp power	360,000 Lumens total	

## ALTERNATOR

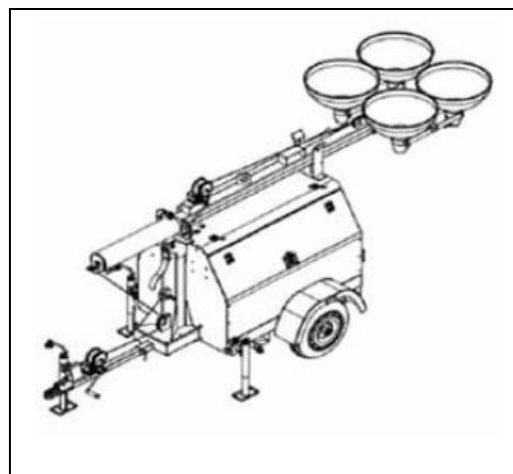
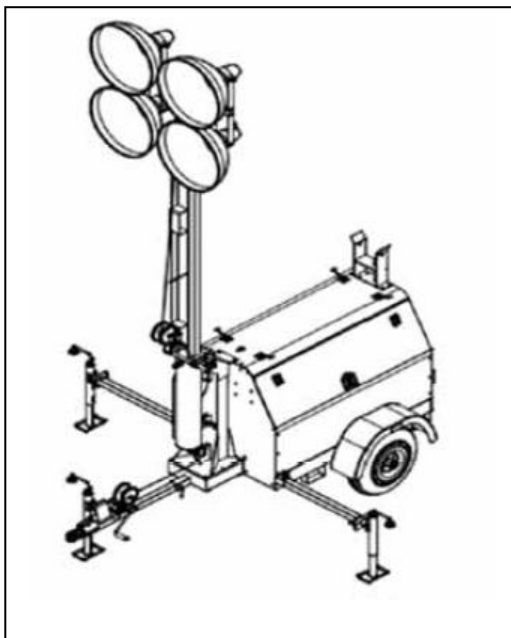
Poles	4 pole
Insulation	Class H
Enclosure	IP23

Prime: This rating is for the supply of continuous electrical power, at variable load, in lieu of commercially purchase power. There is no limitation on the annual hours of operation and 10% over load power can be supplied for 1 hour in 12.

ENGINE			
		50Hz	60Hz
Output Rating	kW	7.5	9.5
Manufacturer and model		Yanmar 3TNM72-GHFCEG	
Fuel		Diesel	
Injection		Direct	
Aspiration		Natural	
Cylinders		3	
Cooling		Water	
Air Filter		Dry	
Engine battery system	v	12	
Starter motor power	A	40	

FUEL SYSTEM			
		50Hz	60Hz
Fuel Tank Capacity	l	114	
Fuel Consumption		50Hz	60Hz
100% Load Prime	l/h	2.25	2.65
Full tank duration (75% load)	h	66	57

WEIGHT AND DIMENSIONS - IN USE			
Length	mm	2760	
Width	mm	2780	
Height	mm	9070	
Weight – without fuel	Kg	834	
Sound pressure (LpA) - 7m	dB	71	



WEIGHT AND DIMENSIONS - TRANSPORT			
Length	mm	4345	
Width	mm	1450	
Height	mm	1890	
Weight – without fuel	Kg	834	

LIGHTING TOWER FEATURES		STANDARD	OPTIONAL
ENGINE			
Engine		•	x
Cooling Pack		•	x
Mechanical Governor		•	x
High coolant shut down		•	x
Low Oil Pressure shut down		•	x
Radiator Guards		•	x
Hot Component Guards		•	x
Residential Silencer		•	x
ELECTRICS			
Alternator		•	x
Circuit Breaker		•	x
Preparation for Earth Spike		•	x
External Emergency Stop Button		•	x
TRAILER			
165R13 wheels		•	x
4 Stabilisers		•	x
Preparation for Earth Spike		•	x
External Emergency Stop Button		•	x

• Standard    x Not Available    △ Optional